

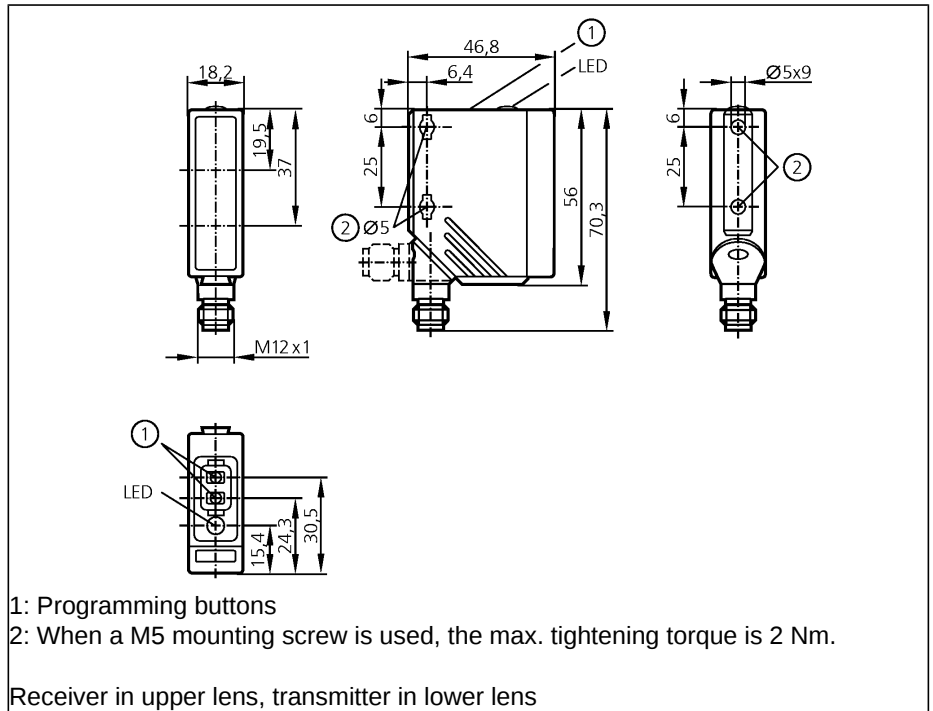
Photoelectric sensors

O5H500

O5H-FPKG/US
Diffuse reflection sensor
Rectangular plastic
Plug and socket

Background suppression
Teach function
Electronic lock

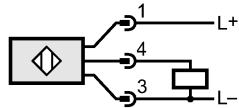
Range 50...1800mm
(Range referred to white paper 200 x
200 mm, 90 % remission)
adjustable



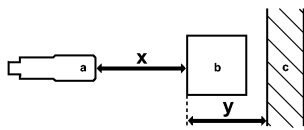
Electrical design	DC PNP
Output	light-on / dark-on programmable
Range [mm]	50...1800
Object white (90 % remission)	50...900
Object grey (18 % remission)	50...600
Object black (6 % remission)	50 (Range 1000 mm)
Light spot diameter [mm]	10...36 DC
Operating voltage [V]	200
Current rating [mA]	pulsed
Short-circuit protection	yes
Reverse polarity protection	yes
Overload protection	yes
Voltage drop [V]	< 2.5
Current consumption [mA]	25
Switching frequency [Hz]	1000
Type of light	Red light 624 nm
Operating temperature [°C]	-25...60
Protection	IP 67, II
EMC	EN 60947-5-2
Housing material	housing: PA; bezel: high-grade stainless steel; operator interface: TPU
Material lens	PMMA
Function display	
Switching status LED	yellow
Connection	M12 connector
Remarks	cULus - Class 2 source required

O5H500

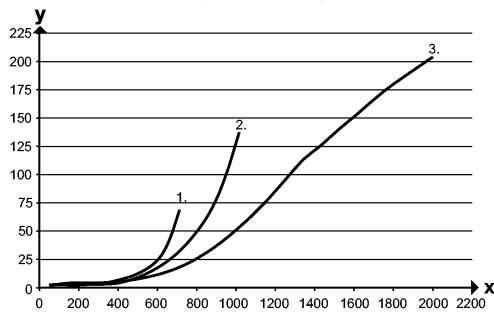
Wiring



Accuracy graph



- a: sensor
- b: object
- c: background
- x: distance sensor / object
- y: min. distance object / background



Values in [mm]

- 1 = object black (6 % remission), background white (90 % remission)
- 2 = object grey (18 % remission), background white (90 % remission)
- 3 = object white (90 % remission), background white (90 % remission)