

no longer available - archive entry replaced by: IM5116

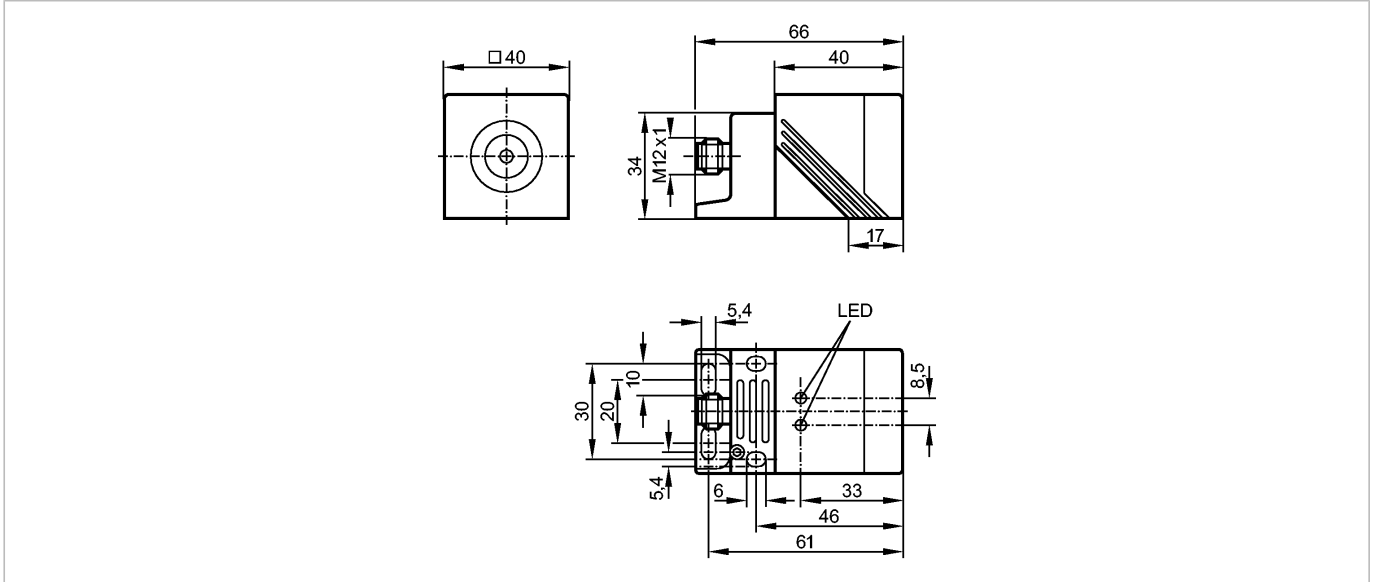
**efector100**

IM5053



IMC3035-BPKG/US-100-DPS

Inductive sensors



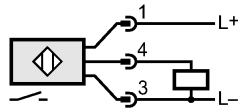
Product characteristics

Inductive sensor	
Rectangular, plastics	
Quick disconnect	
Sensing range 35 mm; [nf] non-flush mountable	
Electrical data	
Electrical design	DC PNP
Operating voltage [V]	10...36 DC
Current consumption [mA]	15 (24 V)
Protection class	II
Reverse polarity protection	yes
Outputs	
Output function	normally open
Voltage drop [V]	< 2.5
Current rating [mA]	250
Short-circuit protection	yes (non-latching)
Overload protection	yes
Switching frequency [Hz]	100
Monitoring range	
Sensing range [mm]	35
Accuracy / deviations	
Correction factors	mild steel = 1 / stainless steel approx. 0.7 / brass approx. 0.4 / aluminium approx. 0.4 / copper approx. 0.3
Environment	
Ambient temperature [°C]	-25...70
Protection	IP 67
Tests / approvals	
EMC	EN 60947-5-2 EN 55011: class B
Mechanical data	
Mounting	non-flush mountable
Housing materials	housing: PPE; active face: PPE; end cap: PPS; connector housing: brass white bronze coated; bracket: PPS
Displays / operating elements	

# IM5053 - Inductive sensor - eclass: 27270101 / 27-27-01-01

Output status indication	LED	yellow
Power	LED	green
Electrical connection		
Connection		M12 connector

## Wiring



Accessories		
Accessories (included)		Mounting bracket; hex-wrench
Remarks		
Remarks		5 positions of the active zone possible
Pack quantity	[piece]	1

ifm efector, inc. • 1100 Atwater Drive • Malvern • PA 19355 — We reserve the right to make technical alterations without prior notice. — US — IM5053 — 06.03.2003  
 no longer available - archive entryreplaced by: IM5116