



Through-beam sensor transmitter

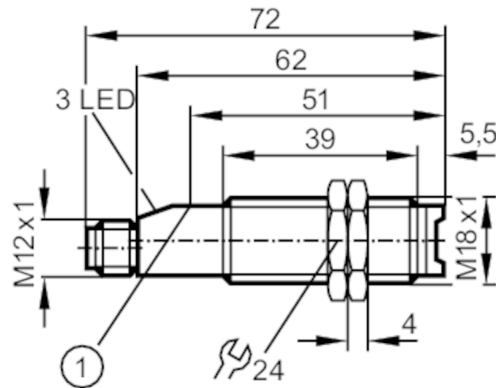
OGS-00KG/US-100

Article no longer available - archive entry

Alternative articles: OGS200 + OGE200 or OGS500 + OGE500

When selecting an alternative article and accessories please note that technical data may differ!

Bedingt_durch_die_geaenderte_Lichtart_muessen_Sender_und_Empfaenger_zusammen_ersetzt_werden



1 pushbutton

Product characteristics

Type of light	infrared light
Housing	threaded type

Application

Special feature	Gold-plated contacts
Function principle	Through-beam sensor

Electrical data

Operating voltage	[V]	10...36 DC
Current consumption	[mA]	< 17
Protection class		II
Reverse polarity protection		yes
Type of light		infrared light
Wave length	[nm]	880

Outputs

Short-circuit protection		yes
Type of short-circuit protection		pulsed
Overload protection		yes

Detection zone

Transmitter / receiver		transmitter
Range	[m]	< 15
Range adjustable		no
Max. light spot diameter	[mm]	2000
Light spot dimensions refer to		at maximum range

OG5042



Through-beam sensor transmitter

OGS-OOKG/US-100

Operating conditions		
Ambient temperature	[°C]	-25...80
Protection		IP 67
Tests / approvals		
EMC	EN 60947-5-2	
Mechanical data		
Housing		threaded type
Dimensions	[mm]	M18 x 1 / L = 72
Thread designation		M18 x 1
Materials		PBT
Lens material		PMMA
Displays / operating elements		
Display	operation	1 x LED, green
Accessories		
Items supplied		lock nuts: 2
Remarks		
Pack quantity		1 pcs.
Electrical connection		

Connector: 1 x M12; coding: A; Contacts: gold-plated



Connection

