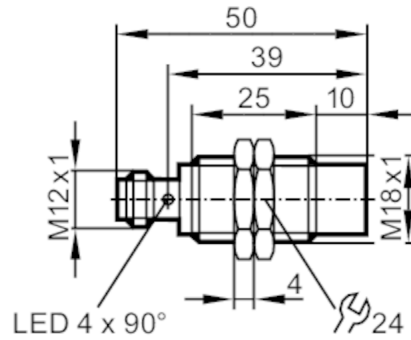




## Inductive sensor

IGB3012-BPKG/US-104



Product characteristics	
Electrical design	PNP
Output function	normally open
Sensing range [mm]	12
Housing	threaded type
Dimensions [mm]	M18 x 1 / L = 50
Application	
Special feature	Gold-plated contacts; Increased sensing range
Application	Industrial applications / factory automation
Electrical data	
Operating voltage [V]	10...30 DC
Current consumption [mA]	< 10
Protection class	II
Reverse polarity protection	yes
Outputs	
Electrical design	PNP
Output function	normally open
Max. voltage drop switching output DC [V]	2.5
Permanent current rating of switching output DC [mA]	100
Switching frequency DC [Hz]	300
Short-circuit protection	yes
Overload protection	yes
Detection zone	
Sensing range [mm]	12
Real sensing range Sr [mm]	12 ± 10 %
Operating distance [mm]	0...9.72
Increased sensing range	yes
Accuracy / deviations	
Correction factor	steel: 1 / stainless steel: 0.7 / brass: 0.5 / aluminium: 0.4 / copper: 0.3
Hysteresis [% of Sr]	3...15

# IGS205



## Inductive sensor

IGB3012-BPKG/US-104

Switch point drift	[% of Sr]	-10...10
--------------------	-----------	----------

### Operating conditions

Ambient temperature	[°C]	-25...70
Protection		IP 67

### Tests / approvals

EMC	EN 61000-4-2 ESD	4 kV CD / 8 kV AD
	EN 61000-4-3 HF radiated	10 V/m
	EN 61000-4-4 Burst	2 kV
	EN 61000-4-6 HF conducted	10 V
	EN 55011	class B
MTTF	[years]	1134
Embedded software included		no
UL approval	Ta	0...40 °C
	Enclosure type	Type 1
	UL Approval no.	A003
	File number UL	E174191

### Mechanical data

Weight	[g]	41.8
Housing		threaded type
Mounting		non-flush mountable
Dimensions	[mm]	M18 x 1 / L = 50
Thread designation		M18 x 1
Materials		housing: brass white bronze coated; sensing face: PBT orange; LED window: PEI; lock nuts: brass white bronze coated

### Displays / operating elements

Display	switching status	4 x LED, yellow
---------	------------------	-----------------

### Accessories

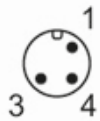
Items supplied		lock nuts: 2
----------------	--	--------------

### Remarks

Pack quantity		1 pcs.
---------------	--	--------

### Electrical connection - plug

Connector: 1 x M12; coding: A; Contacts: gold-plated



# IGS205



## Inductive sensor

IGB3012-BPKG/US-104

### Connection

