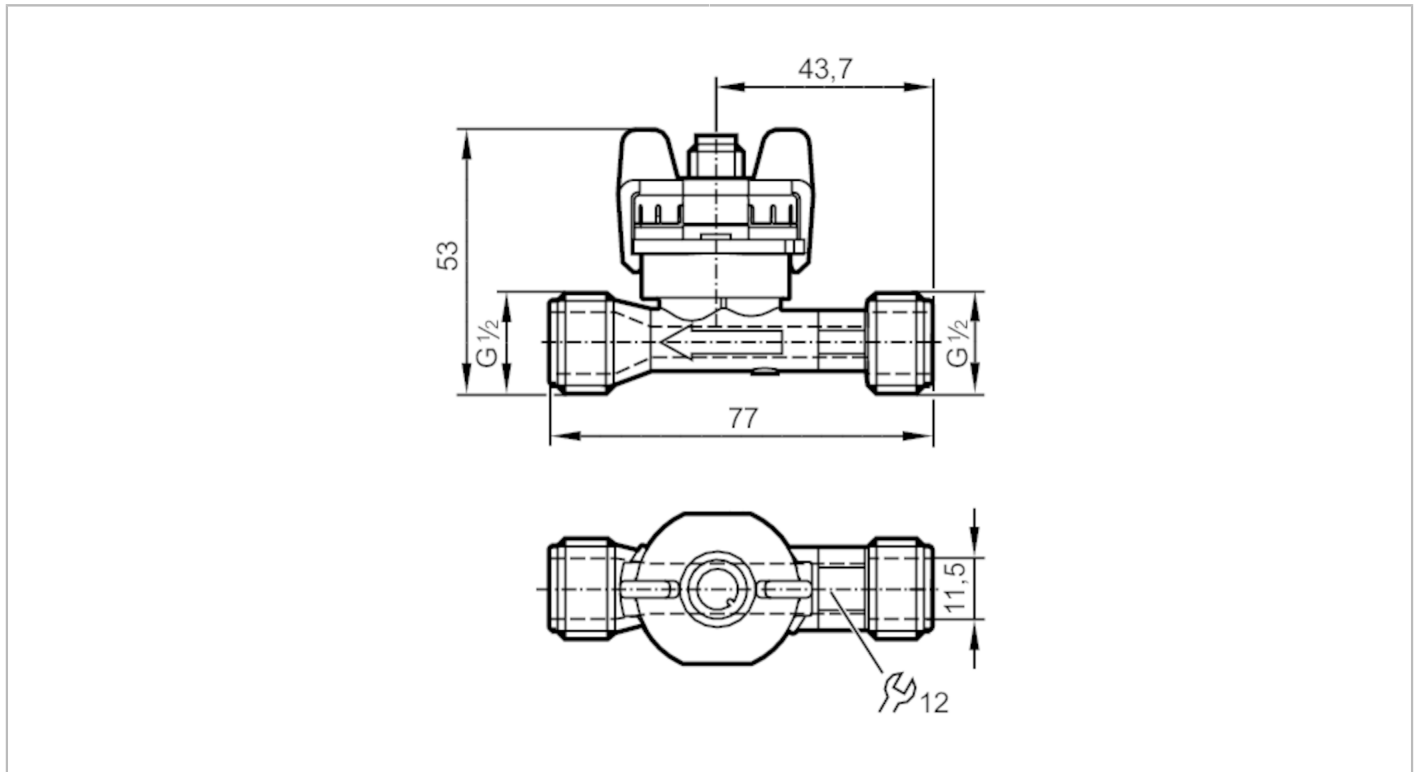


# SV3050



## Vortex flow meter

SVM12XXXD0KG/US-100



### Product characteristics

Number of inputs and outputs	Number of analogue outputs: 1	
Measuring range	0.5...10 l/min	0.074...1.474 m/s
Process connection	threaded connection G 1/2 external thread DN6	

### Application

Special feature	Gold-plated contacts	
Application	for industrial applications	
Installation	connection to pipe by means of an adapter	
Media	water; glycol solutions; coolants	
Medium temperature [°C]	-40...100	
Min. bursting pressure [bar]	25	
Min. bursting pressure [MPa]	2.5	
Pressure rating [bar]	12	
Pressure rating [MPa]	1.2	
Note on pressure rating	up to 40 °C	

### Electrical data

Operating voltage [V]	8...33 DC	
Min. insulation resistance [MΩ]	100; (500 V DC)	
Protection class	III	
Power-on delay time [s]	< 2	
Measuring principle	Vortex	

### Inputs / outputs

Number of inputs and outputs	Number of analogue outputs: 1	
------------------------------	-------------------------------	--

# SV3050



## Vortex flow meter

SVM12XXXD0KG/US-100

Outputs	
Total number of outputs	1
Output signal	analogue signal
Number of analogue outputs	1
Analogue current output [mA]	4...20; (Q [l/min] = 0,625 x (I - 4 mA))
Max. load [ $\Omega$ ]	$< (U_b - 8 \text{ V}) / 20 \text{ mA}$ ; $U_b = 24 \text{ V}$ : 800
Measuring/setting range	
Measuring range	0.5...10 l/min 0.074...1.474 m/s
Accuracy / deviations	
Flow monitoring	
Accuracy (in the measuring range)	Q < 50 % MEW: < 1 % MEW / Q > 50 % MEW: < 2 % MW; (water)
Repeatability	0,2; (% of the final value)
Response times	
Flow monitoring	
Response time [s]	0.5
Operating conditions	
Ambient temperature [ $^{\circ}\text{C}$ ]	-15...85
Storage temperature [ $^{\circ}\text{C}$ ]	-30...85
Protection	IP 65
Cavitation	$P(\text{absolute discharge}) / P(\text{difference}) > 5.5$ to avoid cavitation
Tests / approvals	
EMC	EN 61326-2-3
Shock resistance	DIN EN 60068-2-27 30 g (11 ms)
Vibration resistance	DIN EN 60068-2-6 with water / 10...61 Hz 1 mm with water / 61...2000 Hz 2 g
MTTF [years]	380
Pressure Equipment Directive	Sound engineering practice; can be used for group 2 fluids; group 1 fluids on request
Mechanical data	
Weight [g]	67
Housing	rectangular
Dimensions [mm]	77 x 30.22 x 53
Materials	PA 6T
Materials (wetted parts)	ETFE; PA 6T; FKM
Tightening torque [Nm]	12
Process connection	threaded connection G 1/2 external thread DN6
Displays / operating elements	
Display	colour display 1,44", 128 x 128 pixels 2 x LED, yellow
Remarks	
Remarks	MW = measured value MEW = Final value of the measuring range
Pack quantity	1 pcs.

# SV3050



## Vortex flow meter

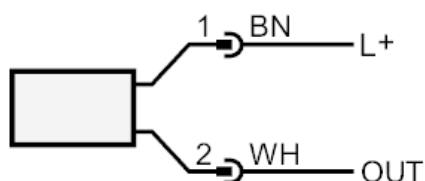
SVM12XXXD0KG/US-100

### Electrical connection

Connector: 1 x M12; coding: A; Contacts: gold-plated



### Connection



OUT: analogue output  
colours to DIN EN 60947-5-2

Core colours :

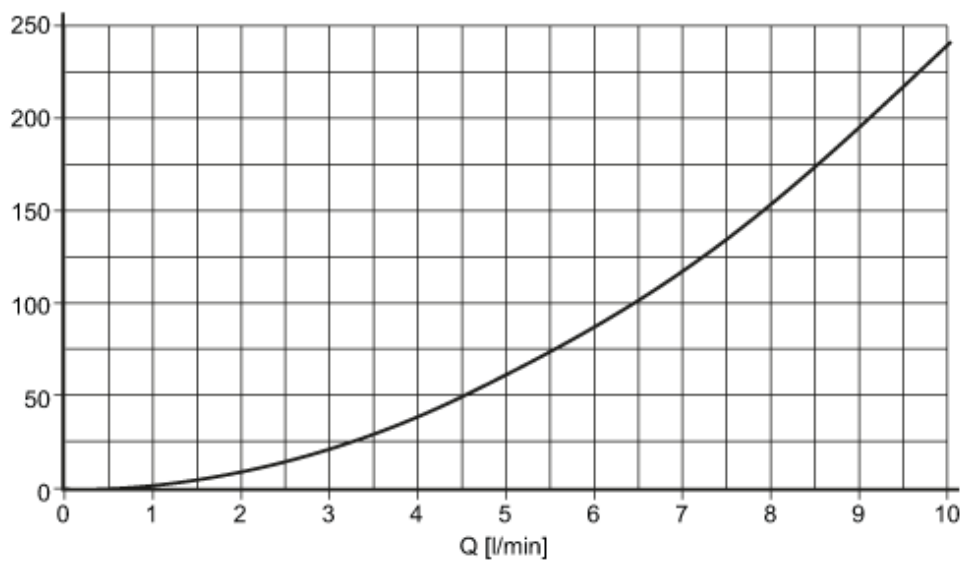
BN = brown

WH = white

### Diagrams and graphs

Pressure loss

dP [mbar] DN6



dP Pressure loss

Q volumetric flow quantity

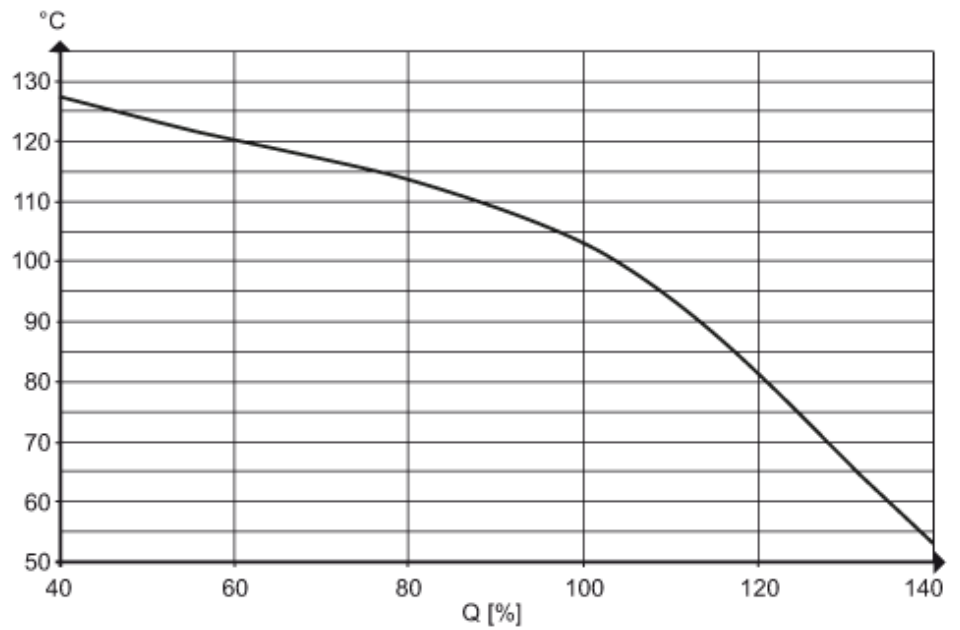
# SV3050



## Vortex flow meter

SVM12XXXD0KG/US-100

min. life 10 years referred to flow and high medium temperatures



pressure rating (bar)

