

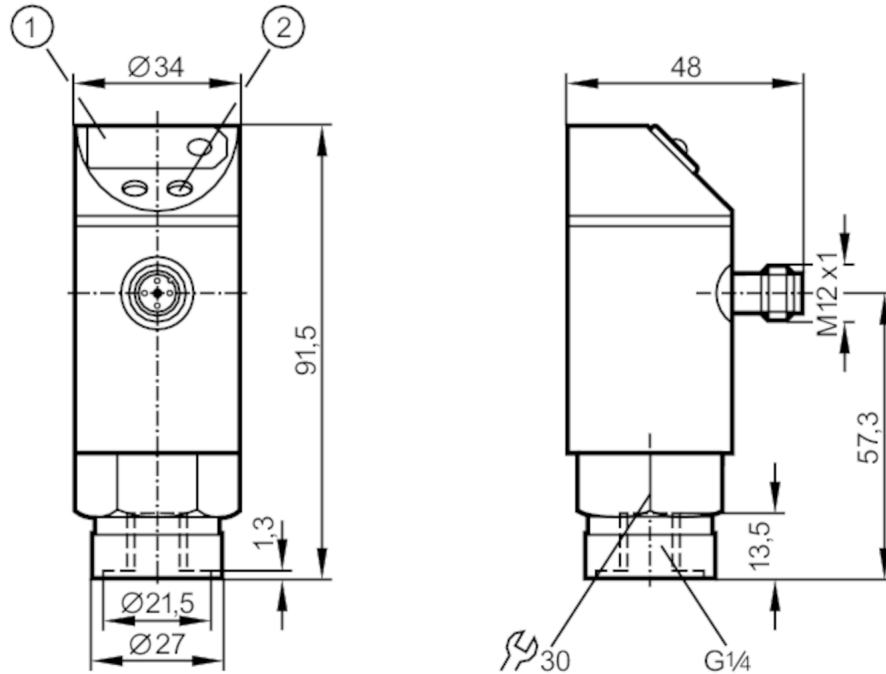
PN5024



Pressure sensor with display

PN-010-RBR14-HFPKG/US/ IV

Article no longer available - archive entry



- 1 7-segment LED display
- 2 programming button



Product characteristics

Number of inputs and outputs	Number of digital outputs: 1	
Measuring range [bar]	0...10	
Process connection	threaded connection G 1/4 internal thread	

Application

Special feature	Gold-plated contacts	
Application	for industrial applications	
Media	liquids and gases	
Medium temperature [°C]	-25...80	
Min. bursting pressure	150 bar	15 MPa
Pressure rating	50 bar	5 MPa
Type of pressure	relative pressure	

Electrical data

Operating voltage [V]	18...30 DC	
Current consumption [mA]	< 60	
Min. insulation resistance [MΩ]	100; (500 V DC)	
Protection class	III	
Reverse polarity protection	yes	
Power-on delay time [s]	0.2	
Integrated watchdog	yes	

PN5024



Pressure sensor with display

PN-010-RBR14-HFPKG/US/ IV

Inputs / outputs										
Number of inputs and outputs	Number of digital outputs: 1									
Outputs										
Total number of outputs	1									
Output signal	switching signal									
Electrical design	PNP									
Number of digital outputs	1									
Output function	normally open / normally closed; (parameterisable)									
Max. voltage drop switching output DC [V]	2									
Permanent current rating of switching output DC [mA]	250									
Short-circuit protection	yes									
Type of short-circuit protection	pulsed									
Overload protection	yes									
Measuring/setting range										
Measuring range [bar]	0...10									
Set point SP [bar]	0.1...10									
Reset point rP [bar]	0.05...9.95									
In steps of [bar]	0.05									
Accuracy / deviations										
Switch point accuracy [% of the final value]	< ± 1,0									
Repeatability [% of the final value]	< ± 0,25; (with temperature fluctuations < 10 K)									
Temperature drift per 10 K	< ± 0.3									
Response times										
Switching frequency for a given set response time of one output	Response time [ms]	3	6	10	17	30	60	125	250	500
	Switching frequency [Hz]	170	80	50	30	16	8	4	2	1
Response time [ms]	at rectangular pressure characteristic; switch point (SPx) = 70 %; reset point (rPx) = 30 %									
Delay time programmable dS, dr [s]	0, 0,2,...10, 11,...50									
Software / programming										
Adjustment of the switch point	programming button									
Parameter setting options	hysteresis / window; normally open / normally closed; switch-on/switch-off delay; Damping									
Operating conditions										
Ambient temperature [°C]	-25...80									
Storage temperature [°C]	-40...100									
Protection	IP 65									

PN5024



Pressure sensor with display

PN-010-RBR14-HFPKG/US/ IV

Tests / approvals

EMC	EN 61000-4-2 ESD	4 kV CD / 8 kV AD
	EN 61000-4-3 HF radiated	10 V/m
	EN 61000-4-4 Burst	2 kV
	EN 61000-4-6 HF conducted	10 V
Shock resistance	DIN IEC 68-2-27	50 g (11 ms)
Vibration resistance	DIN IEC 68-2-6	20 g (10...2000 Hz)

Mechanical data

Housing	cylindrical	
Dimensions [mm]	Ø 34 / L = 91.5	
Materials	EPDM/X; FKM; PA; PBT; PC; PTFE; stainless steel (304/1.4301)	
Materials (wetted parts)	stainless steel (303/1.4305); ceramics; FKM	
Min. pressure cycles	100 million	
Process connection	threaded connection G 1/4 internal thread	

Displays / operating elements

Display	switching status	LED, red
	function display	7-segment LED display
	measured values	7-segment LED display

Remarks

Pack quantity	1 pcs.
---------------	--------

Electrical connection

Connector: 1 x M12; coding: A; Contacts: gold-plated



Connection

