

PT3541



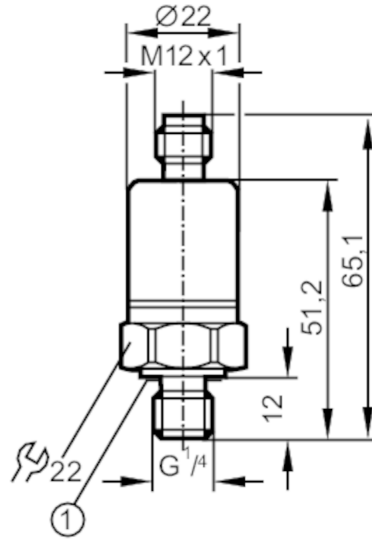
Pressure transmitter

PT-250-SBG14-A-ZVG/US/ IW

phase-out article

Alternative articles: PT5401

When selecting an alternative article and accessories please note that technical data may differ!



1 Sealing
Tightening torque 25 Nm



Product characteristics

Number of inputs and outputs	Number of analogue outputs: 1		
Measuring range	0...250 bar	0...3625 psi	0...25 MPa
Process connection	threaded connection G 1/4 external thread		

Application

Application	for industrial applications		
Media	liquids and gases		
Medium temperature [°C]	-25...90		
Min. bursting pressure	1000 bar	14500 psi	100 MPa
Pressure rating	400 bar	5800 psi	40 MPa
Type of pressure	relative pressure		

Electrical data

Operating voltage [V]	8.5...36 DC		
Min. insulation resistance [MΩ]	100; (500 V DC)		
Protection class	III		
Reverse polarity protection	yes		

Inputs / outputs

Number of inputs and outputs	Number of analogue outputs: 1		
------------------------------	-------------------------------	--	--

Outputs

Total number of outputs	1		
Output signal	analogue signal		

PT3541



Pressure transmitter

PT-250-SBG14-A-ZVG/US/ IW

Number of analogue outputs	1
Analogue current output [mA]	4...20
Max. load [Ω]	775; (U _b = 24 V; (U _b - 8,5 V) / 20 mA)

Measuring/setting range

Measuring range	0...250 bar	0...3625 psi	0...25 MPa
-----------------	-------------	--------------	------------

Accuracy / deviations

Repeatability [% of the span]	< ± 0,1; (with temperature fluctuations < 10 K)
Characteristics deviation [% of the span]	< ± 1,0; (incl. drift when overtightened, zero point and span error)
Linearity deviation [% of the span]	< ± 0,25 (BFSL) / < ± 0,5 (LS)
Hysteresis deviation [% of the span]	< ± 0,2
Long-term stability [% of the span]	< ± 0,1; (per 6 months)
Temperature coefficient zero point [% of the span / 10 K]	< ± 0,1; (-25...90 °C)
Temperature coefficient span [% of the span / 10 K]	< ± 0,1; (-25...90 °C)

Response times

Step response time analogue output [ms]	3
---	---

Operating conditions

Ambient temperature [°C]	-25...90
Storage temperature [°C]	-40...100
Protection	IP 67; IP 69K

Tests / approvals

EMC	EN 61000-4-2 ESD	4 kV CD / 8 kV AD
	EN 61000-4-3 HF radiated	10 V/m
	EN 61000-4-4 Burst	4 kV coupling clamp
	EN 61000-4-5 Surge	1 kV signal for DC units
	EN 61000-4-6 HF conducted	10 V
Shock resistance	DIN IEC 68-2-27	50 g (11 ms)
Vibration resistance	DIN IEC 68-2-6	20 g (10...2000 Hz)
MTTF [years]		1579
Pressure Equipment Directive	Sound engineering practice; can be used for group 2 fluids; group 1 fluids on request	

Mechanical data

Weight [g]	82.5
Housing	cylindrical
Dimensions [mm]	Ø 22 / L = 65.1
Materials	stainless steel (316L/1.4404); PA
Materials (wetted parts)	stainless steel (316L/1.4404); Sealing: FKM
Min. pressure cycles	50 million
Process connection	threaded connection G 1/4 external thread

PT3541



Pressure transmitter

PT-250-SBG14-A-ZVG/US/ IW

Restrictor element integrated | no (can be retrofitted)

Remarks

Remarks | BFSL = Best Fit Straight Line

LS = limit value setting

Pack quantity | 1 pcs.

Electrical connection

Connector: 1 x M12; coding: A



Connection

