

PT3540



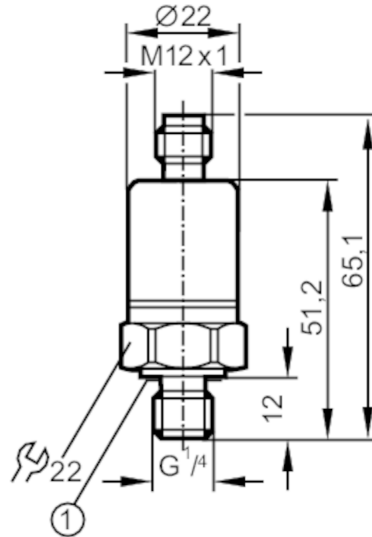
Pressure transmitter

PT-400-SBG14-A-ZVG/US/ IW

phase-out article

Alternative articles: PT5400

When selecting an alternative article and accessories please note that technical data may differ!



1 Sealing
Tightening torque 25 Nm



Product characteristics

Number of inputs and outputs	Number of analogue outputs: 1		
Measuring range	0...400 bar	0...5800 psi	0...40 MPa
Process connection	threaded connection G 1/4 external thread		

Application

Application	for industrial applications		
Media	liquids and gases		
Medium temperature [°C]	-25...90		
Min. bursting pressure	1600 bar	23200 psi	160 MPa
Pressure rating	600 bar	8700 psi	60 MPa
Type of pressure	relative pressure		

Electrical data

Operating voltage [V]	8.5...36 DC		
Min. insulation resistance [MΩ]	100; (500 V DC)		
Protection class	III		
Reverse polarity protection	yes		

Inputs / outputs

Number of inputs and outputs	Number of analogue outputs: 1		
------------------------------	-------------------------------	--	--

Outputs

Total number of outputs	1		
Output signal	analogue signal		

PT3540



Pressure transmitter

PT-400-SBG14-A-ZVG/US/ IW

Number of analogue outputs	1
Analogue current output [mA]	4...20
Max. load [Ω]	775; ($U_b = 24\text{ V}$; ($U_b - 8,5\text{ V}$) / 20 mA)

Measuring/setting range

Measuring range	0...400 bar	0...5800 psi	0...40 MPa
-----------------	-------------	--------------	------------

Accuracy / deviations

Repeatability [% of the span]	$< \pm 0,1$; (with temperature fluctuations $< 10\text{ K}$)
Characteristics deviation [% of the span]	$< \pm 1,0$; (incl. drift when overtightened, zero point and span error)
Linearity deviation [% of the span]	$< \pm 0,25$ (BFSL) / $< \pm 0,5$ (LS)
Hysteresis deviation [% of the span]	$< \pm 0,2$
Long-term stability [% of the span]	$< \pm 0,1$; (per 6 months)
Temperature coefficient zero point [% of the span / 10 K]	$< \pm 0,1$; ($-25...90\text{ }^\circ\text{C}$)
Temperature coefficient span [% of the span / 10 K]	$< \pm 0,1$; ($-25...90\text{ }^\circ\text{C}$)

Response times

Step response time analogue output [ms]	3
---	---

Operating conditions

Ambient temperature [$^\circ\text{C}$]	$-25...90$
Storage temperature [$^\circ\text{C}$]	$-40...100$
Protection	IP 67; IP 69K

Tests / approvals

EMC	EN 61000-4-2 ESD	4 kV CD / 8 kV AD
	EN 61000-4-3 HF radiated	10 V/m
	EN 61000-4-4 Burst	4 kV coupling clamp
	EN 61000-4-5 Surge	1 kV signal for DC units
	EN 61000-4-6 HF conducted	10 V
	Shock resistance	DIN IEC 68-2-27
Vibration resistance	DIN IEC 68-2-6	20 g (10...2000 Hz)
MTTF [years]		1579
Pressure Equipment Directive	Sound engineering practice; can be used for group 2 fluids; group 1 fluids on request	

Mechanical data

Weight [g]	83
Housing	cylindrical
Dimensions [mm]	$\varnothing 22 / L = 65,1$
Materials	stainless steel (316L/1.4404); PA
Materials (wetted parts)	stainless steel (316L/1.4404); Sealing: FKM
Min. pressure cycles	50 million
Process connection	threaded connection G 1/4 external thread

PT3540



Pressure transmitter

PT-400-SBG14-A-ZVG/US/ IW

Restrictor element integrated | no (can be retrofitted)

Remarks

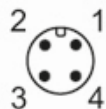
Remarks | BFSL = Best Fit Straight Line

LS = limit value setting

Pack quantity | 1 pcs.

Electrical connection

Connector: 1 x M12; coding: A



Connection

