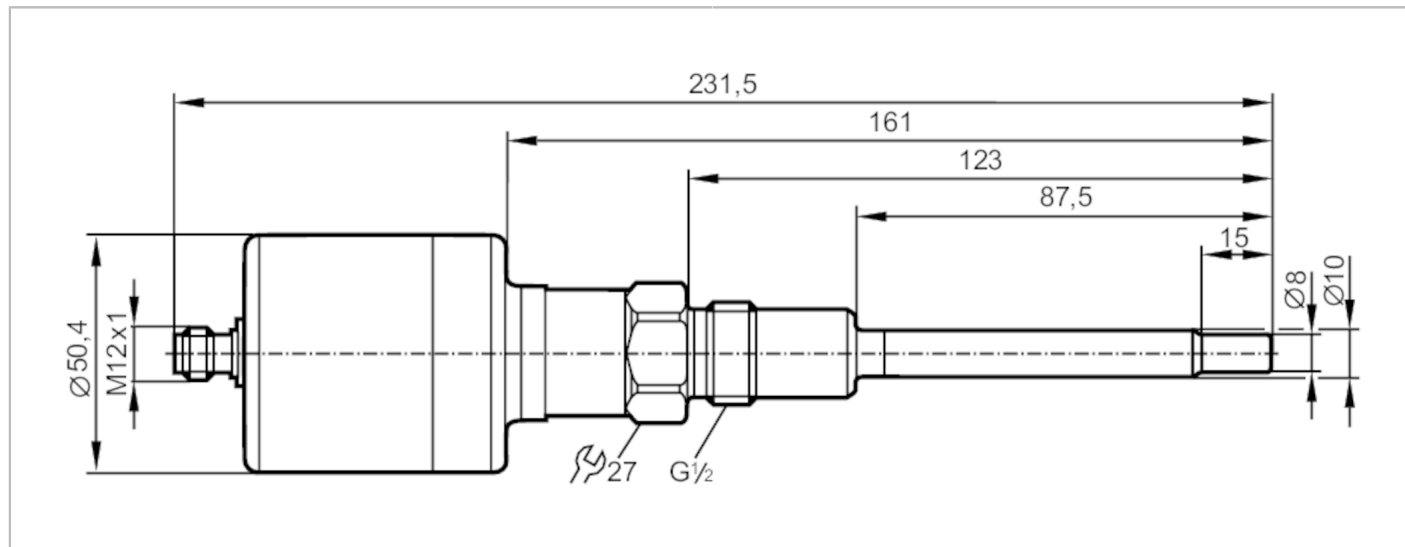


TAD191



Temperature transmitter with drift detection

TAD088KLER12-A-DKG/US



Product characteristics	
Number of inputs and outputs	Number of digital outputs: 1; Number of analogue outputs: 1
Measuring range	-25...160 °C -13...320 °F
Communication interface	IO-Link
Process connection	threaded connection G 1/2 external thread sealing cone
Installation length EL [mm]	87.5
Application	
Special feature	Gold-plated contacts
Measuring element	1 x Pt 1000 + 1 x NTC; (thermally coupled, with backup function (temperature measuring even if one element fails))
Media	liquids and gases
Pressure rating	50 bar 5 MPa
Minimum installation depth [mm]	25
MAWP (for applications according to CRN) [bar]	50
Electrical data	
Operating voltage [V]	18...32 DC; ("supply class 2" to cULus)
Current consumption [mA]	6; (24 V)
Protection class	III
Reverse polarity protection	yes
Power-on delay time [s]	8
Integrated watchdog	yes
Inputs / outputs	
Number of inputs and outputs	Number of digital outputs: 1; Number of analogue outputs: 1
Outputs	
Total number of outputs	2
Output signal	switching signal; analogue signal; IO-Link; (configurable)
Electrical design	PNP/NPN



Temperature transmitter with drift detection

TAD088KLER12-A-DKG/US

Number of digital outputs	1	
Output function	normally open / normally closed / diagnostic signal; (parameterisable)	
Max. voltage drop switching output DC [V]	2	
Permanent current rating of switching output DC [mA]	150; (200 (...60°C); 250 (...40 °C))	
Diagnostic output	Drift monitoring; fault monitoring	
Number of analogue outputs	1	
Analogue current output [mA]	4...20	
Max. load [Ω]	(U _b - 15 V) x 50	
Short-circuit protection	yes	
Type of short-circuit protection	pulsed	
Overload protection	yes	
Measuring/setting range		
Probe length L [mm]	87.5	
Measuring range	-25...160 °C	-13...320 °F
Note on measuring range	scalable	
Factory setting	0...150 °C / 32...302 °F	
Drift warning	0.2...5 °C	0.4...9 °F
Drift alarm	0.2...5 °C	0.4...9 °F
In steps of	0.05 °C	0.1 °F
Resolution		
Resolution of analogue output [K]	0.05	
Accuracy / deviations		
Precision analogue output [K]	± 0,2 (-10...130°C); ± 0,3 (130...140°C); ± 0,3 ± 0,1% MS (-25...-10/140...160°C); (probe completely inserted into the measured medium up to the sealing chamfer)	
Temperature coefficient [% of the span / 10 K]	< ± 0,01; (in case of deviation from the reference condition 25 ± 5 °C)	
Response times		
Dynamic response T05 / T09 [s]	3 / 6	
Software / programming		
Parameter setting options	drift warning/drift alarm threshold; Fail-Safe; Display unit; scaling of the analogue output; redundancy switching; performance diagnostic output; switching logic; normally open / normally closed	
Interfaces		
Communication interface	IO-Link	
Transmission type	COM1 (4,8 kBaud)	
IO-Link revision	1.1	
SDCI standard	IEC 61131-9 CDV	
Profiles	Smart Sensor: Process Data Variable; Device Identification, Device Diagnosis	
SIO mode	yes	
Required master port type	A	
Process data analogue	1	
Process data binary	1	

TAD191



Temperature transmitter with drift detection

TAD088KLER12-A-DKG/US

Min. process cycle time	[ms]	18.8
Supported DeviceIDs	Type of operation	DeviceID
	default	323

Operating conditions		
Ambient temperature	[°C]	-25...70
Storage temperature	[°C]	-40...85
Protection		IP 68; IP 69K

Tests / approvals		
EMC	DIN EN 61000-6-2	
	DIN EN 61000-6-3	
Shock resistance	DIN EN 68000-2-27	50 g (11 ms)
Vibration resistance	DIN EN 60068-2-6	20 g (10...2000 Hz)
MTTF	[years]	213
Note on approval		Including free 5-point calibration certificate.

Mechanical data		
Weight	[g]	345
Housing		cylindrical
Dimensions	[mm]	Ø 50.4 / L = 231.5
Materials		stainless steel (316L/1.4435); stainless steel (316L/1.4404); PEI; FKM
Materials (wetted parts)		stainless steel (316L/1.4435); stainless steel (316L/1.4404)
Tightening torque	[Nm]	30...50
Process connection		threaded connection G 1/2 external thread sealing cone
Surface characteristics Ra/Rz of the wetted parts		Ra: < 0.6
Probe diameter	[mm]	10
Installation length EL	[mm]	87.5

Remarks		
Remarks		MS = set measuring span
Pack quantity		1 pcs.

Electrical connection

Connector: 1 x M12; coding: A; Contacts: gold-plated



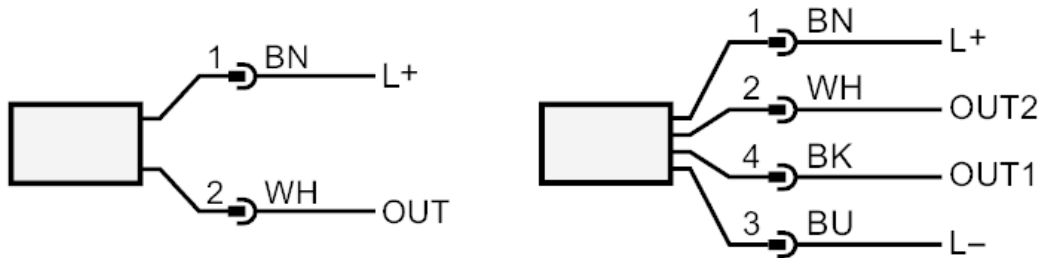
TAD191



Temperature transmitter with drift detection

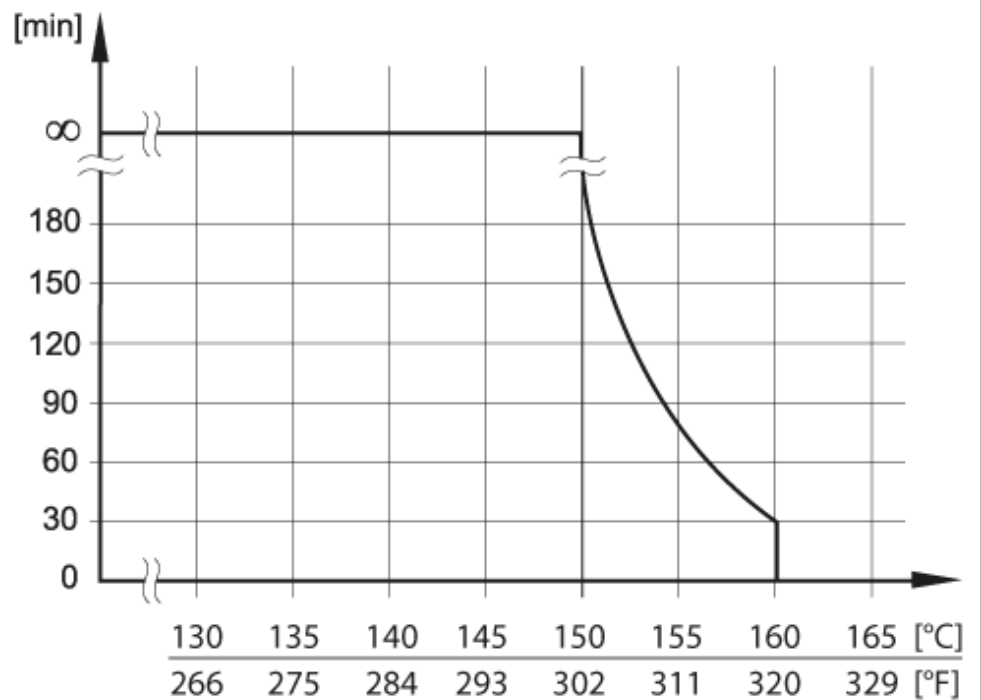
TAD088KLER12-A-DKG/US

Connection



OUT: connection for 2-wire operation
analogue output
connection for 3-wire operation
OUT2: analogue output
OUT1: diagnosis / IO-Link

Diagrams and graphs



maximum operating time depending on the medium temperature