



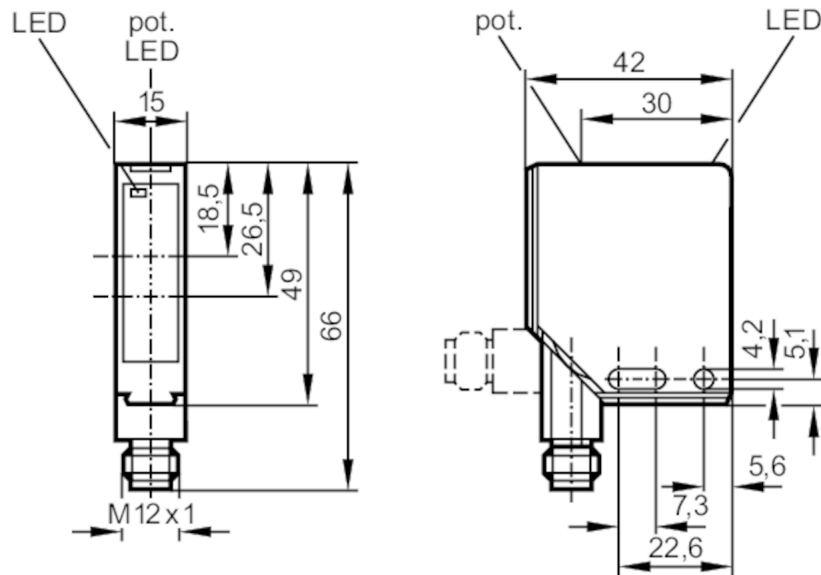
Diffuse reflection sensor with background suppression

OCH-CPKG/US-100

Article no longer available - archive entry

Alternative articles: O5H500

When selecting an alternative article and accessories please note that technical data may differ!



receiver in upper lens
transmitter in lower lens

Product characteristics

Type of light	infrared light
Housing	rectangular

Application

Special feature	Background suppression
Function principle	Diffuse reflection sensor

Electrical data

Operating voltage	[V]	10...30 DC
Current consumption	[mA]	< 40
Protection class		II
Reverse polarity protection		yes
Type of light		infrared light
Wave length	[nm]	880

Outputs

Electrical design		PNP
Output function		complementary
Max. voltage drop switching output DC	[V]	2.9
Permanent current rating of switching output DC	[mA]	100
Switching frequency DC	[Hz]	1500
Short-circuit protection		yes

OC5216



Diffuse reflection sensor with background suppression

OCH-CPKG/US-100

Type of short-circuit protection	pulsed
Overload protection	yes

Detection zone	
Range [mm]	20...250
Range adjustable	yes
Max. light spot diameter [mm]	12.5
Light spot dimensions refer to	at maximum range
Background suppression available	yes

Operating conditions	
Ambient temperature [°C]	-40...60
Protection	IP 67

Tests / approvals	
EMC	EN 60947-5-2

Mechanical data	
Housing	rectangular
Dimensions [mm]	49 x 15 x 42
Materials	diecast zinc
Lens material	PMMA

Displays / operating elements		
Display	switching status	1 x LED, yellow
	function	1 x LED, yellow flashing

Accessories	
Items supplied	screwdrivers

Remarks	
Pack quantity	1 pcs.

Electrical connection

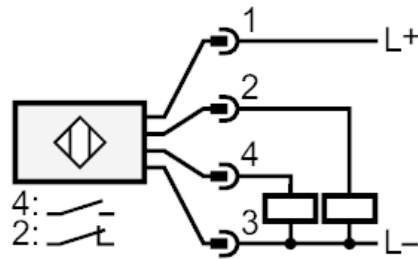
Connector: 1 x M12; coding: A



Diffuse reflection sensor with background suppression

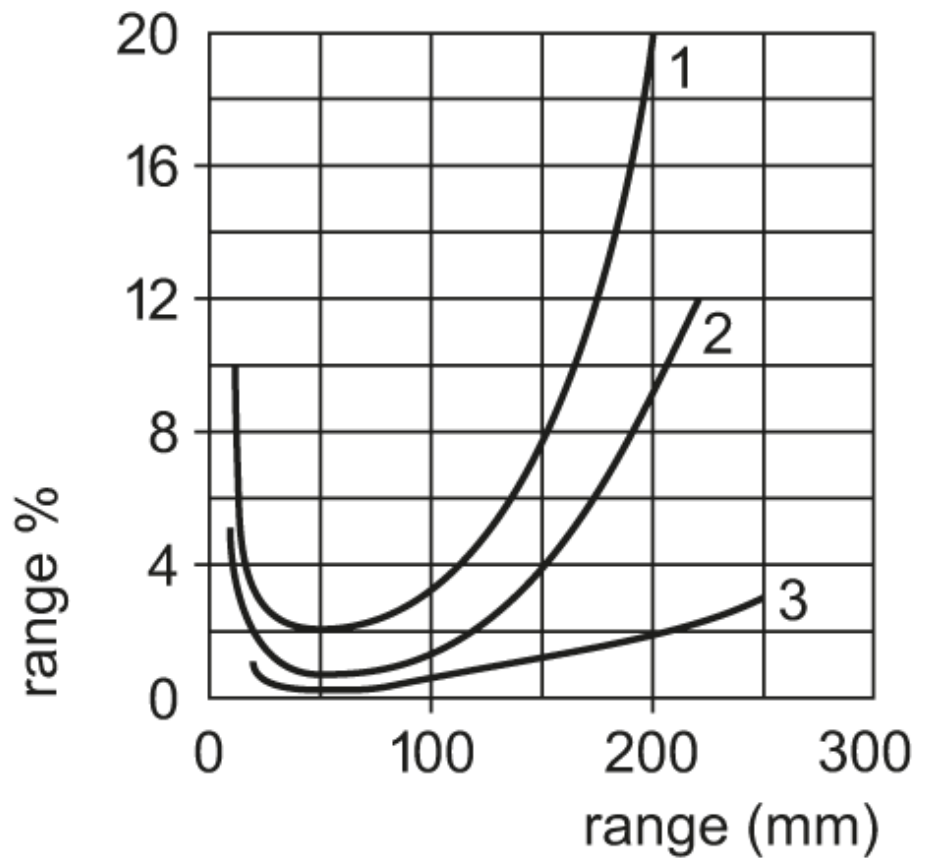
OCH-CPKG/US-100

Connection



Diagrams and graphs

accuracy graph



x: distance sensor/object [mm]

y: min. distance object/background [mm]

1 = object black (6 % remission) , background white (90 % remission)

2 = object grey (18 % remission) , background white (90 % remission)

3 = object white (90 % remission) , background white (90 % remission)

Note : range % = setting in % of the range