



GV-H1000

Sensor Head Ultra-long-distance Type



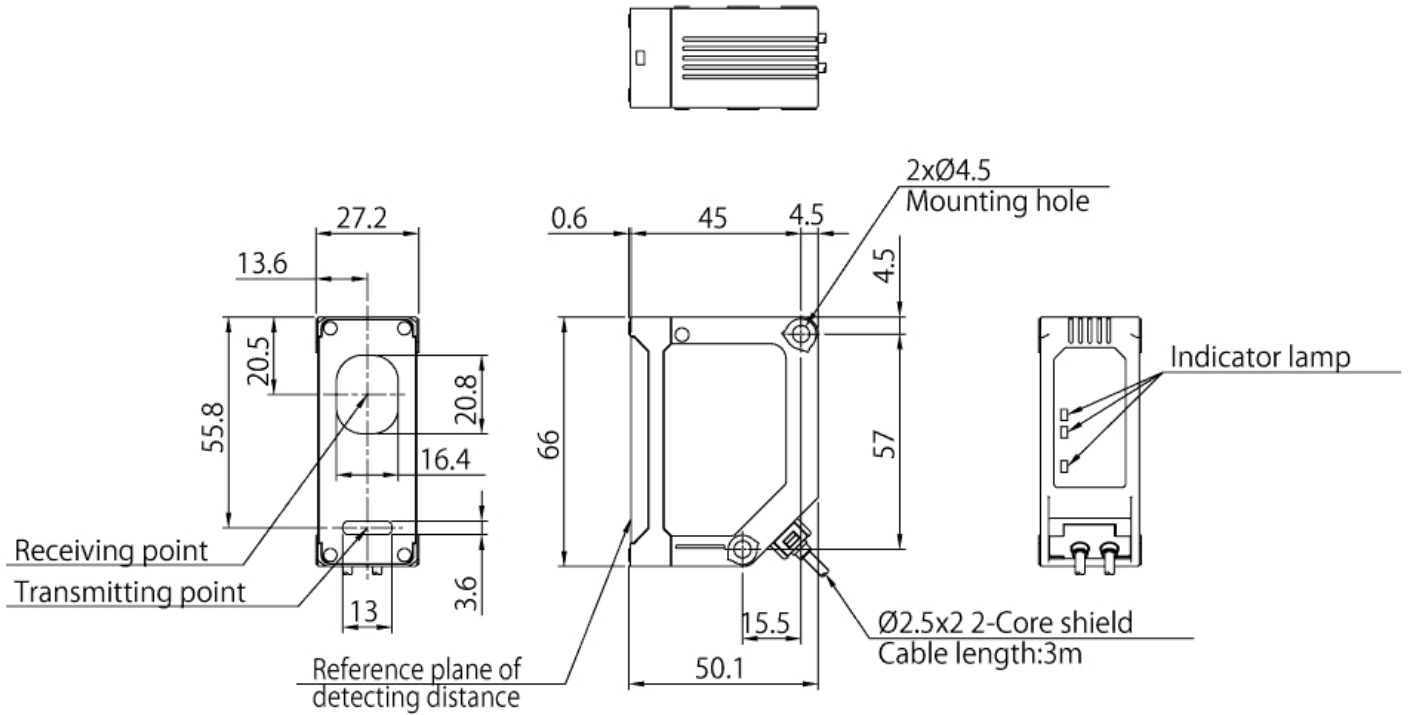
## Specifications

Model		GV-H1000	
Type		Ultra long-range	
Light source		Visible semiconductor laser, Wavelength: 655 nm	
Laser class	FDA (CDRH) Part 1040.10	Class 2 (560 μW)	
	IEC 60825-1		
	JIS C6802		
Detection distance (Amplifier display)		200 to 1000 mm 7.87" to 39.37" (800 to 0) <sup>1)</sup>	
Possible display range		810 to -175	
Standard detection deviation		20 mm 0.79" (Detection distance 200 to 800 mm 7.87" to 31.5") 30 mm 1.18" (Detection distance 800 to 1000 mm 31.5" to 39.37")	
Spot diameter		Approx. ø1.8 mm ø0.07" (Detection distance 1000 mm 39.37")	
Operation status indicators		Control output: Red LED/Laser radiation emission indicator: Green LED/1 spot indicator: Green LED	
Environmental resistance	Enclosure rating		IP67
	Operating ambient luminance	Incandescent lamp	5000lx
		Sunlight	10000lx <sup>2)</sup>
	Ambient temperature		-10 to +50 °C 14 to 122 °F (No freezing)
	Relative humidity		35 to 85 % RH (No condensation)
Vibration resistance		10 to 55 Hz, Double amplitude 1.5 mm 0.06", 2 hours in each of the X, Y, and Z axis	
Material		Housing material: PBT, Display: Polyarylate, Metal: SUS304, Lens cover: Glass, Cable: PVC	
Weight		Approx. 210 g <sup>3)</sup>	
<sup>1)</sup> General guideline for amplifier display values relative to detection distance (when distance display mode is set to normal). <sup>2)</sup> Incandescent lamp: 5000 lux, Sunlight: 3000 lux for GV-H1000 (When the response time is set to 10 ms or faster) <sup>3)</sup> Including 2 m 6.6' connector cable (3 m 9.8' cable for GV-H1000)			

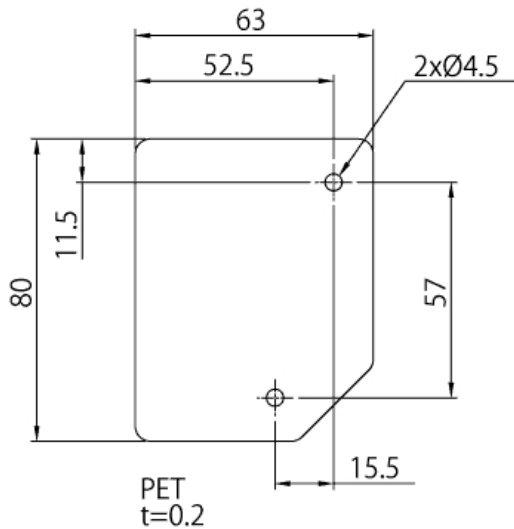
Dimensions

\* Download CAD file or product manual for larger image/text and more detail.

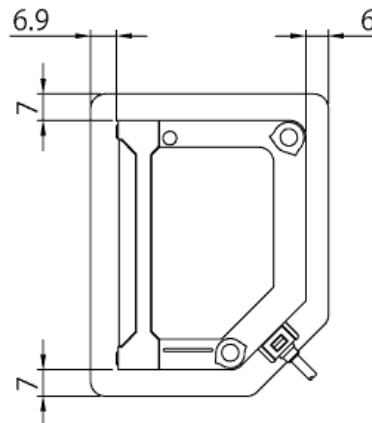
GV-H1000/GV-H1000L



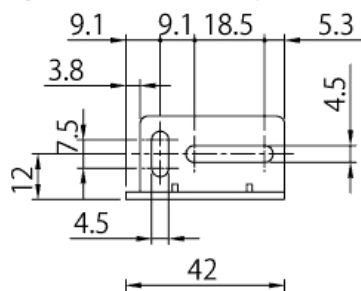
Insulating sheet(Accessory)

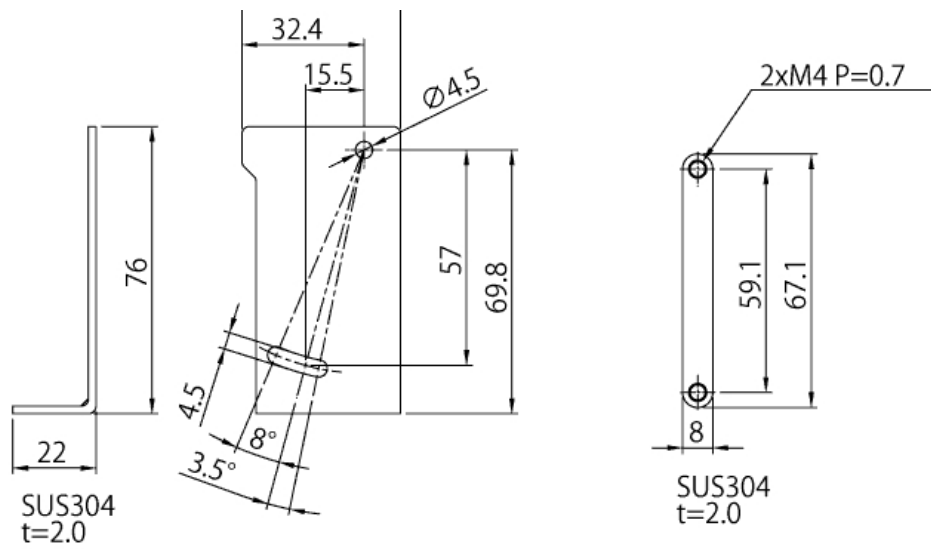


When the insulating sheet is attached.



Mounting bracket(Accessory)





When mounting bracket is attached

